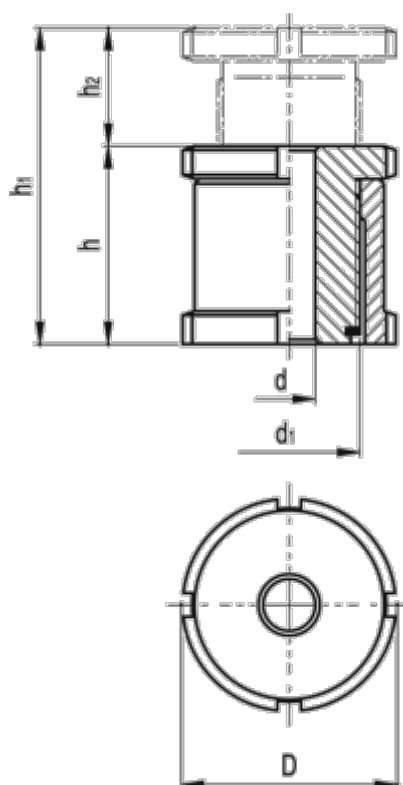


Data Sheet



Article number: 20662270A
Description: E+G Levelling set
GN 350-80-26-A-NI

Measures



C-spanner DIN 1810 = A80-90
 d = 26.0
 D = 80
 d_1 = M60x2
For screw = M24
 h = 76
 h_1 = 126
 h_2 = 50

Max static load (N) = 323.0
Static preload (N) = 195.3
Weight (g) = 2180